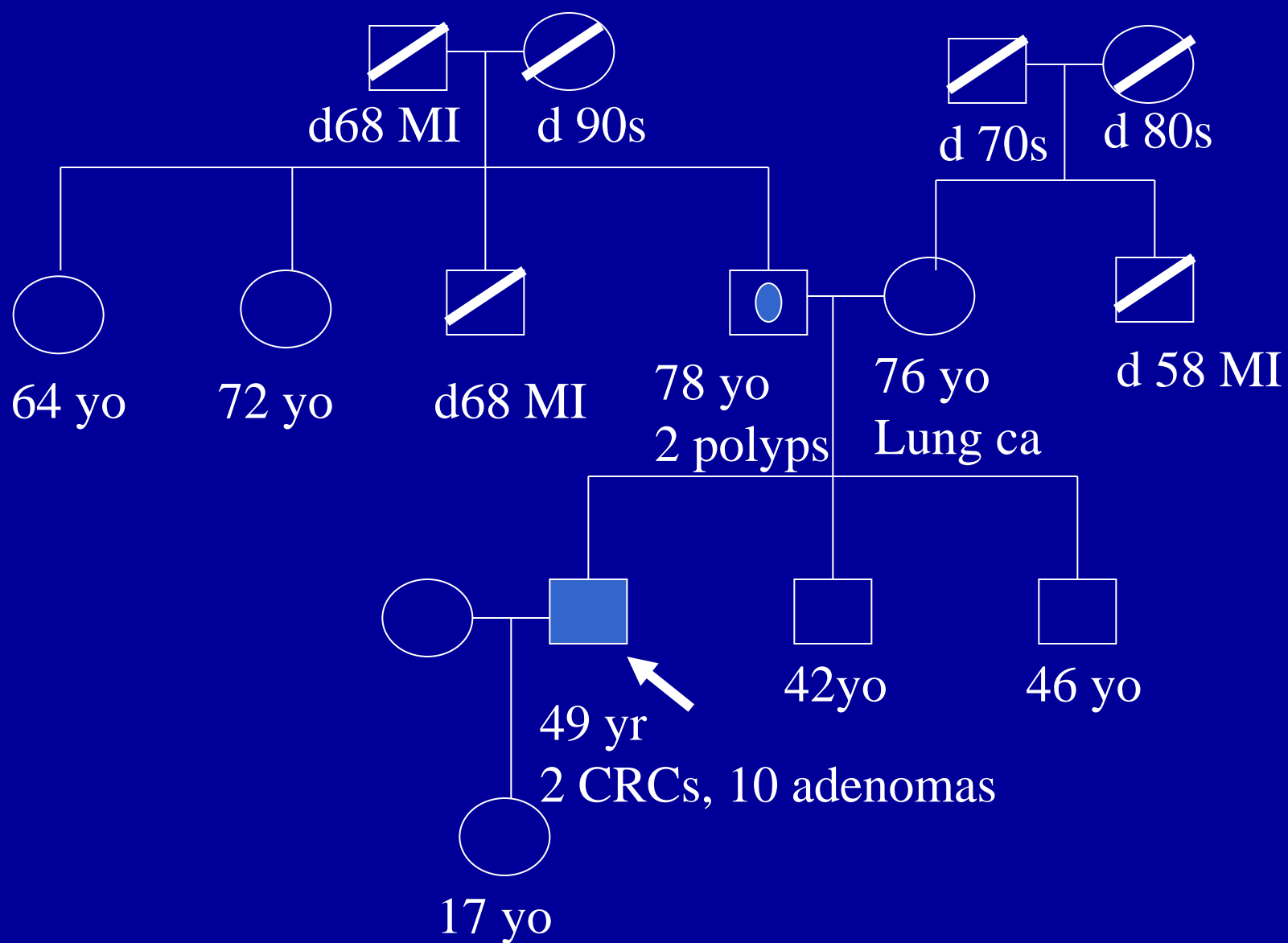
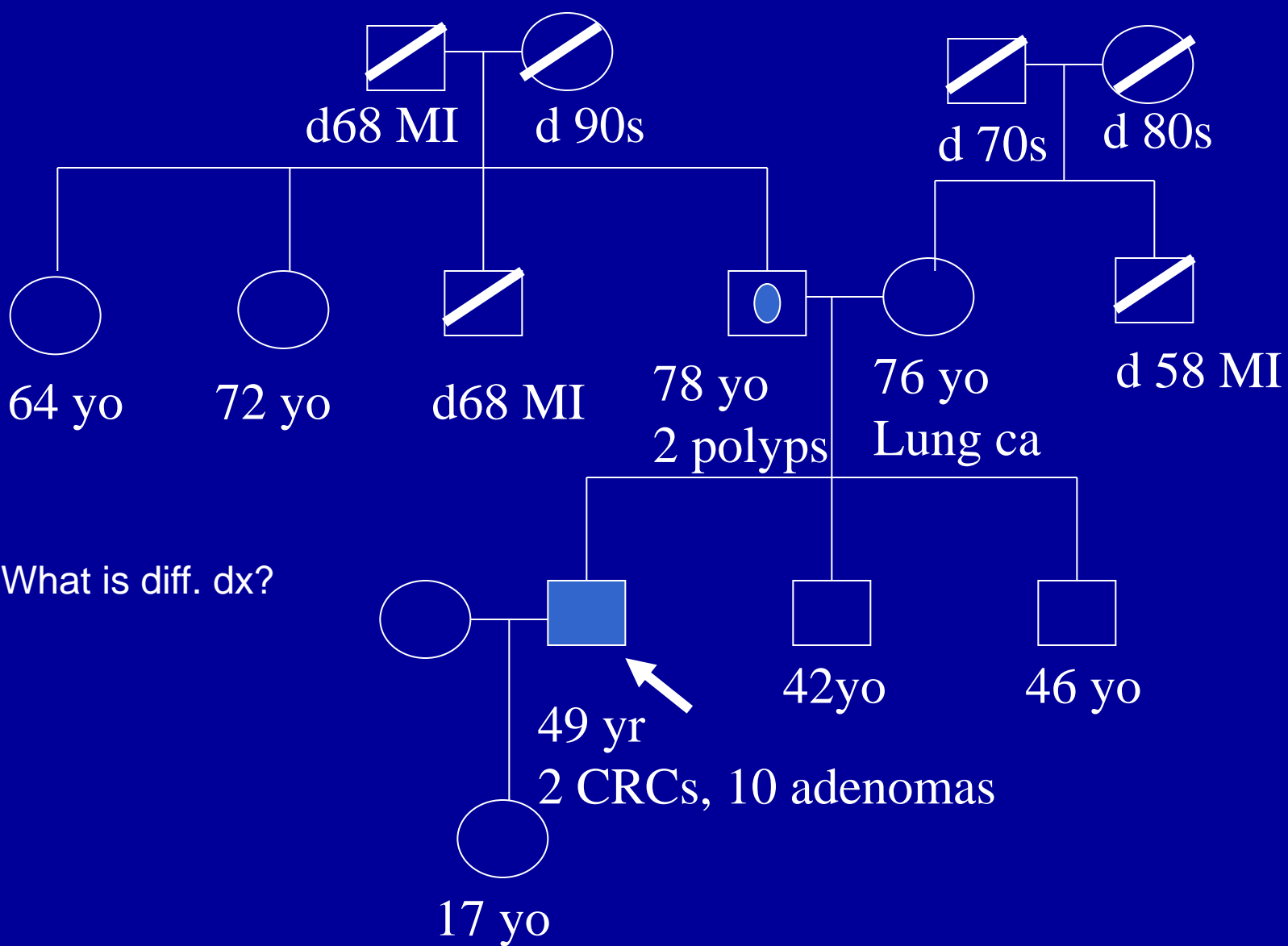


# Case Based Discussion Questions

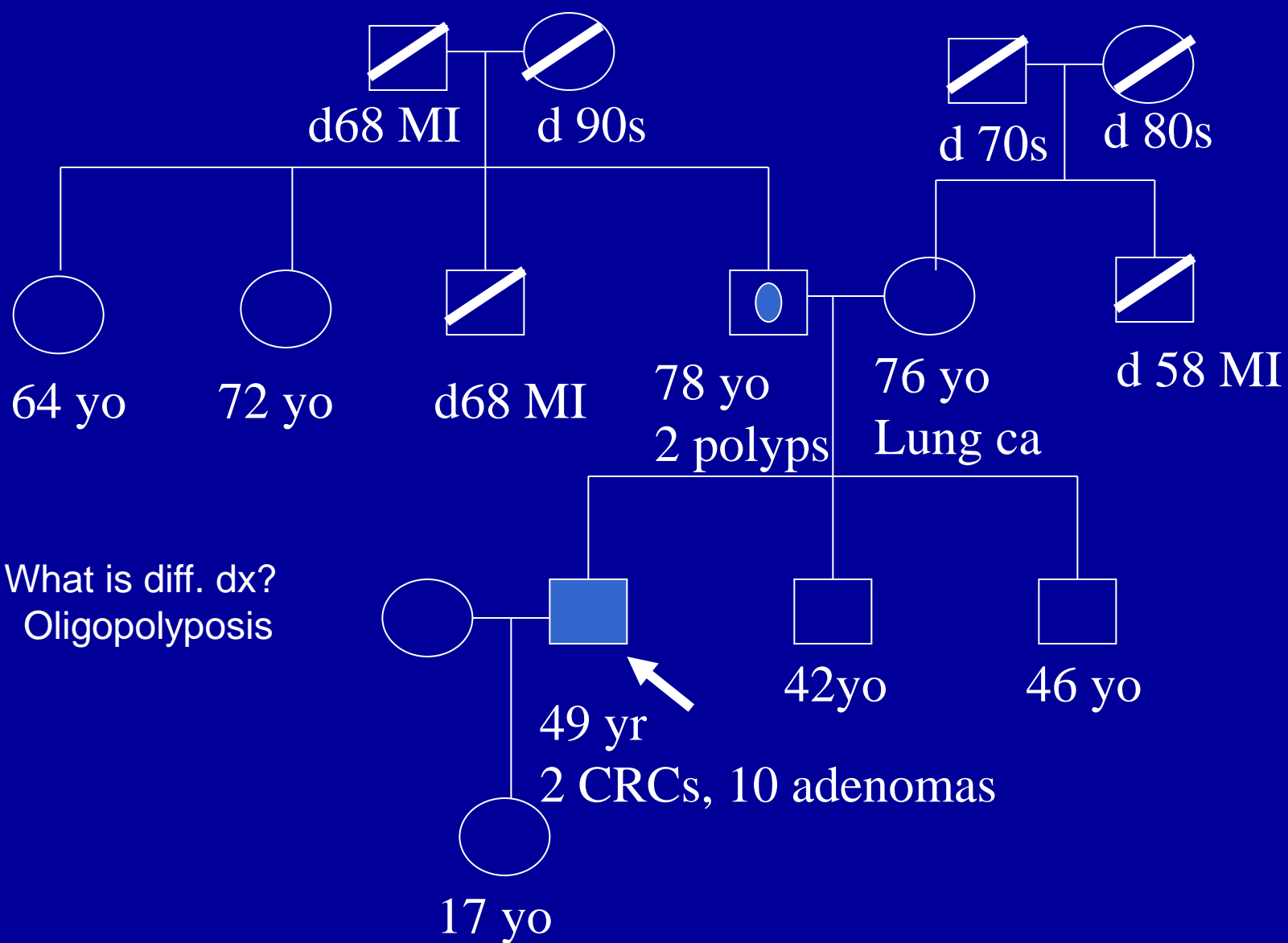
Francis M. Giardiello, M.D.

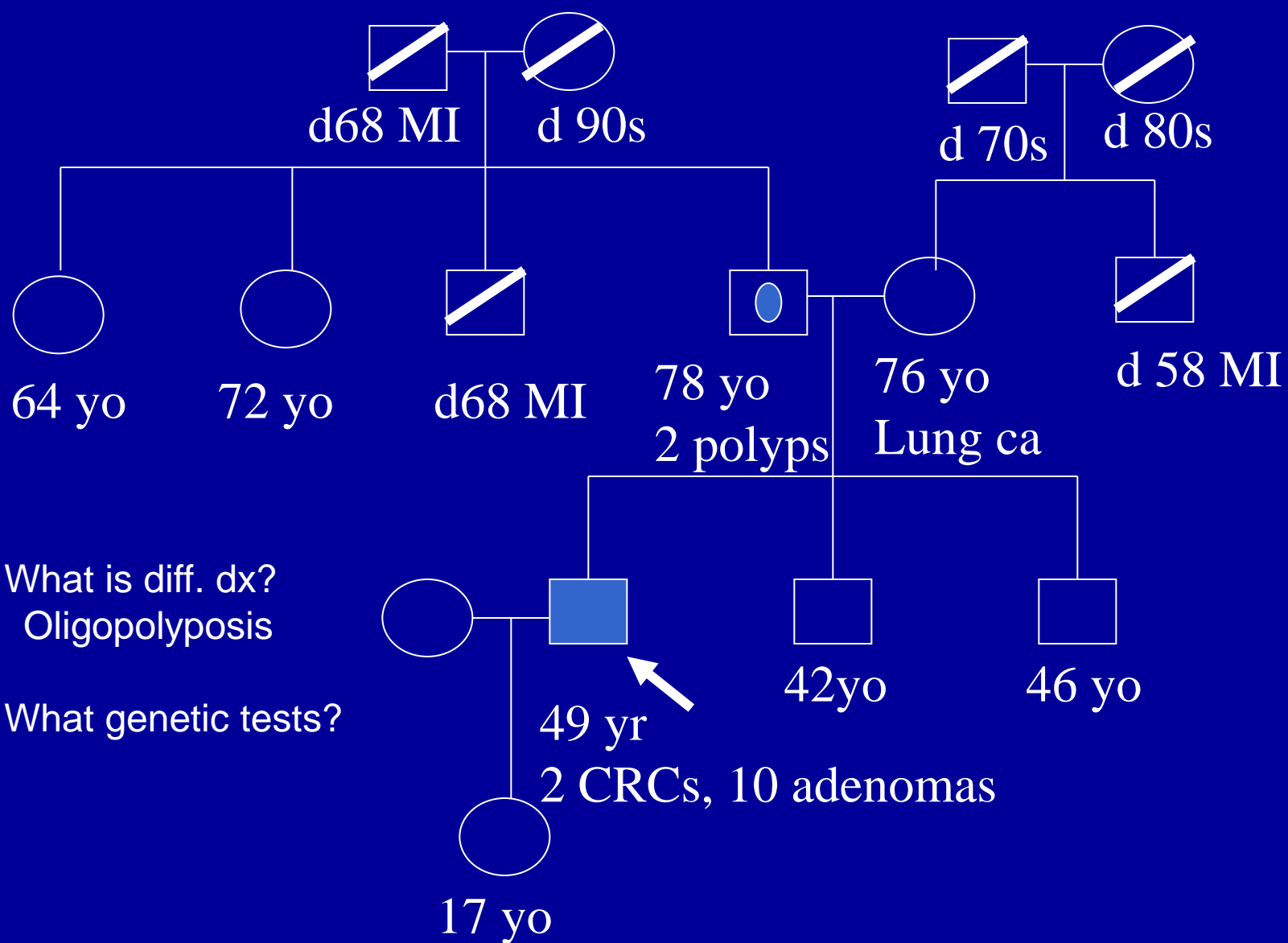
# Case 1





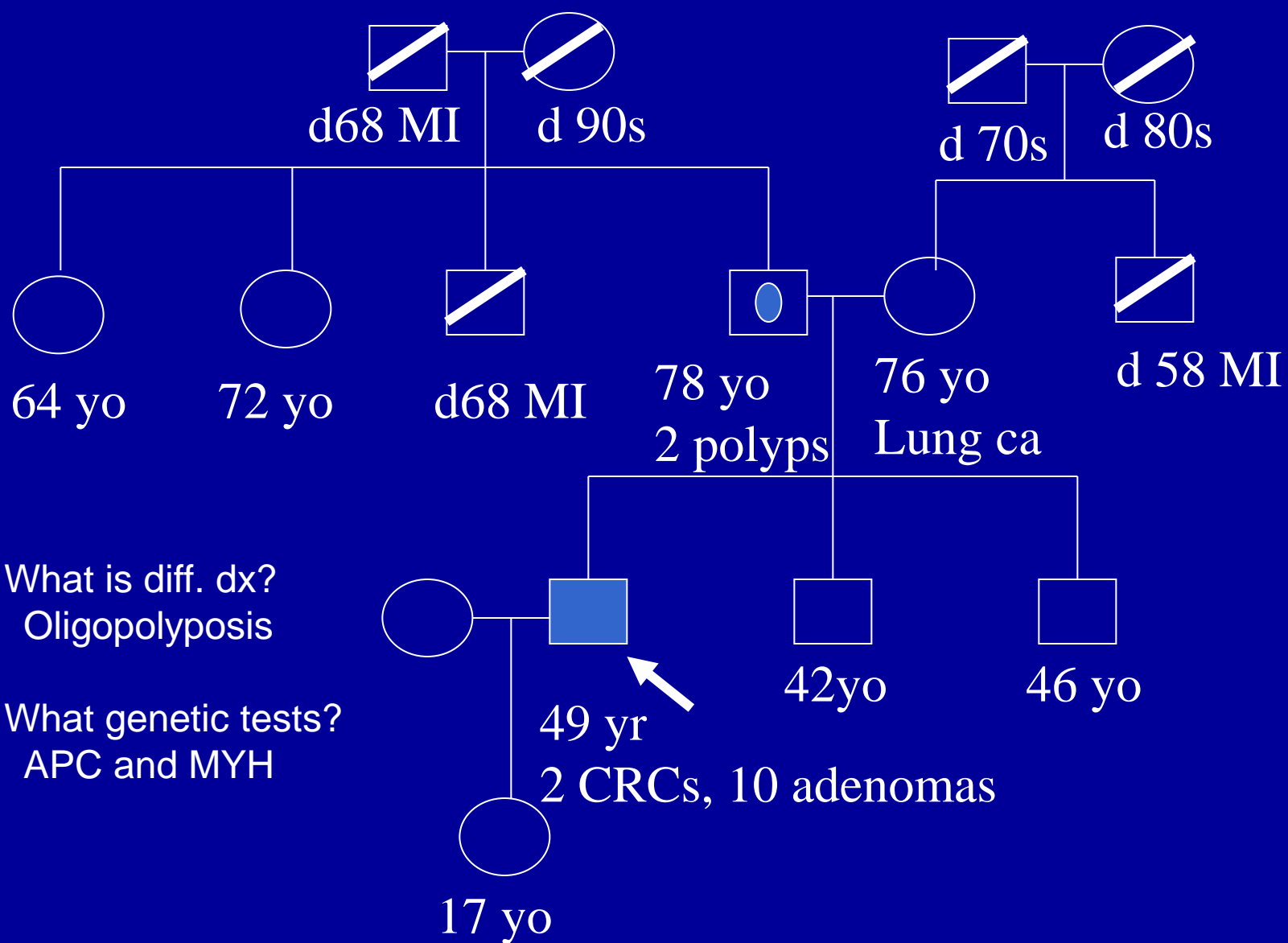
1. What is diff. dx?





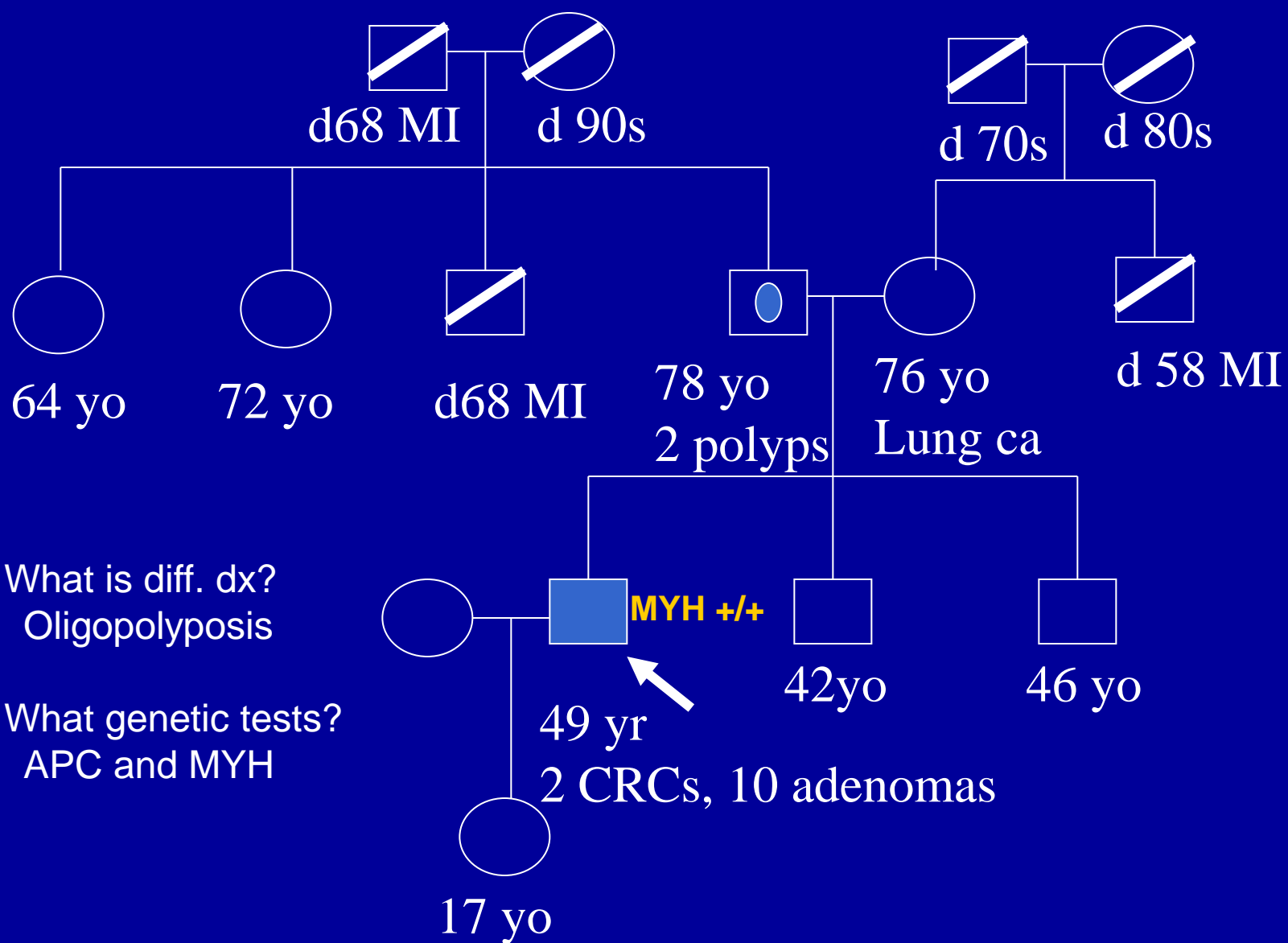
1. What is diff. dx?  
Oligopolyposis

2. What genetic tests?



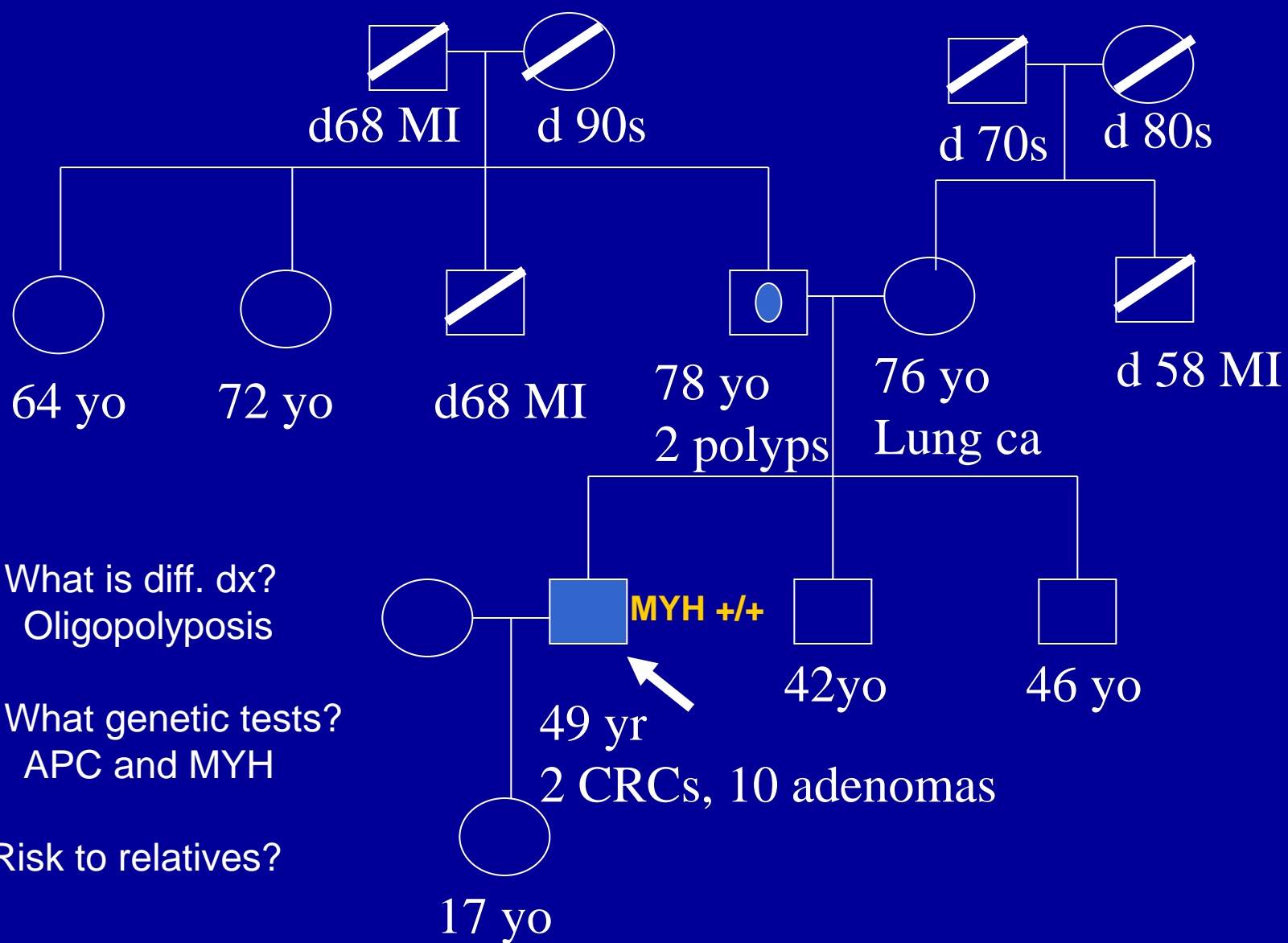
1. What is diff. dx?  
Oligopolyposis

2. What genetic tests?  
APC and MYH



1. What is diff. dx?  
Oligopolyposis
2. What genetic tests?  
APC and MYH

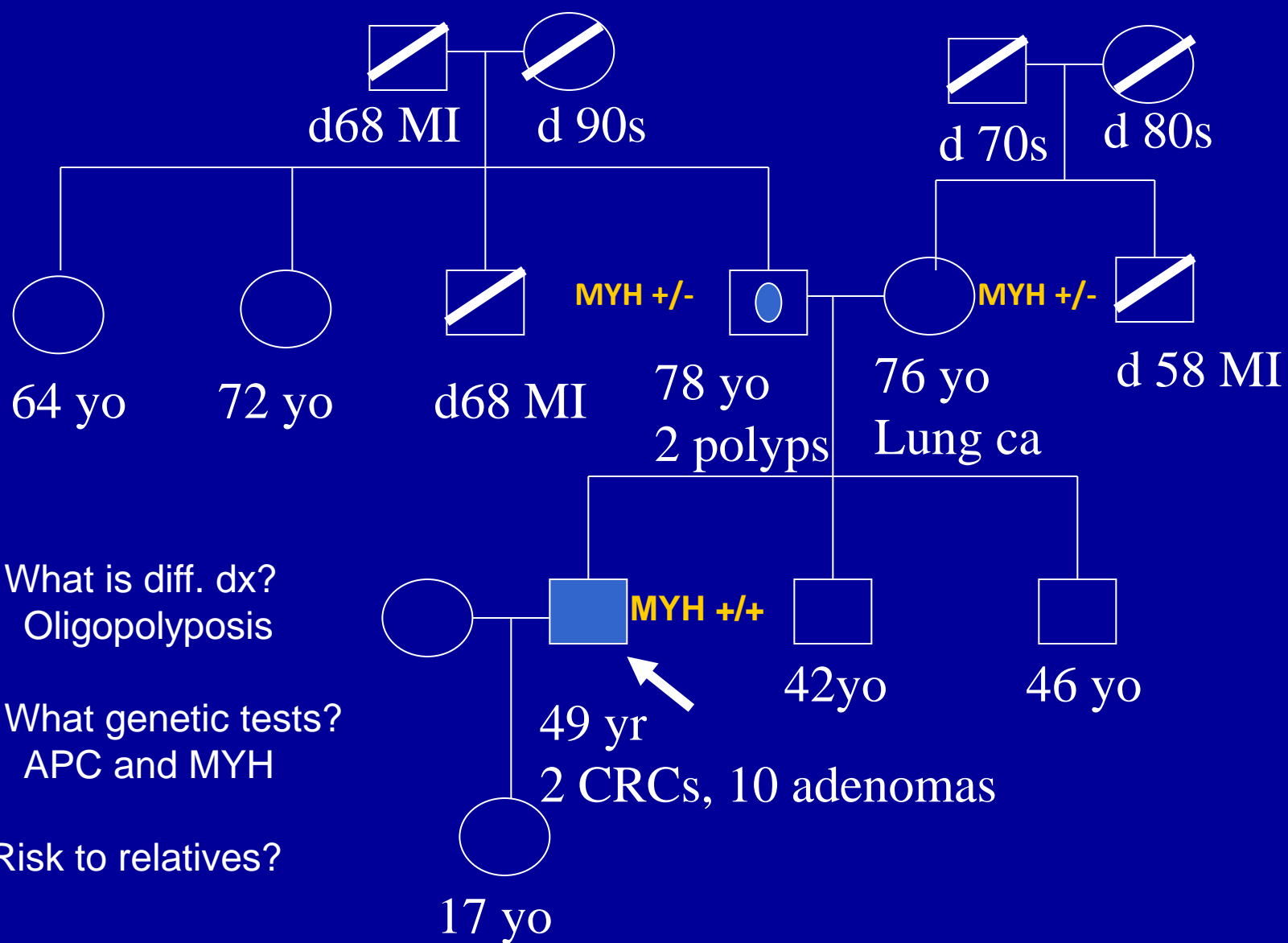




1. What is diff. dx?  
Oligopolyposis

2. What genetic tests?  
APC and MYH

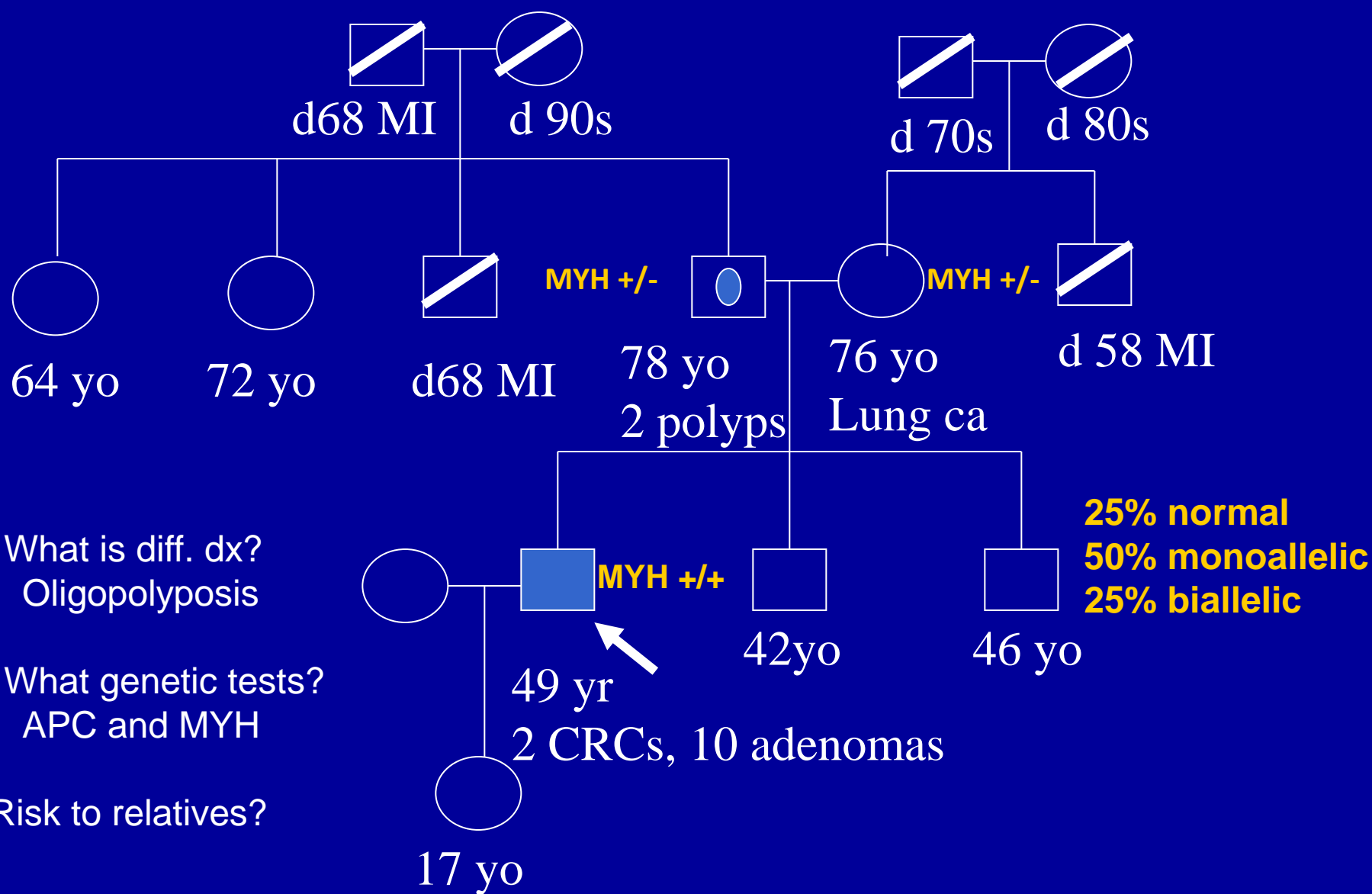
3. Risk to relatives?

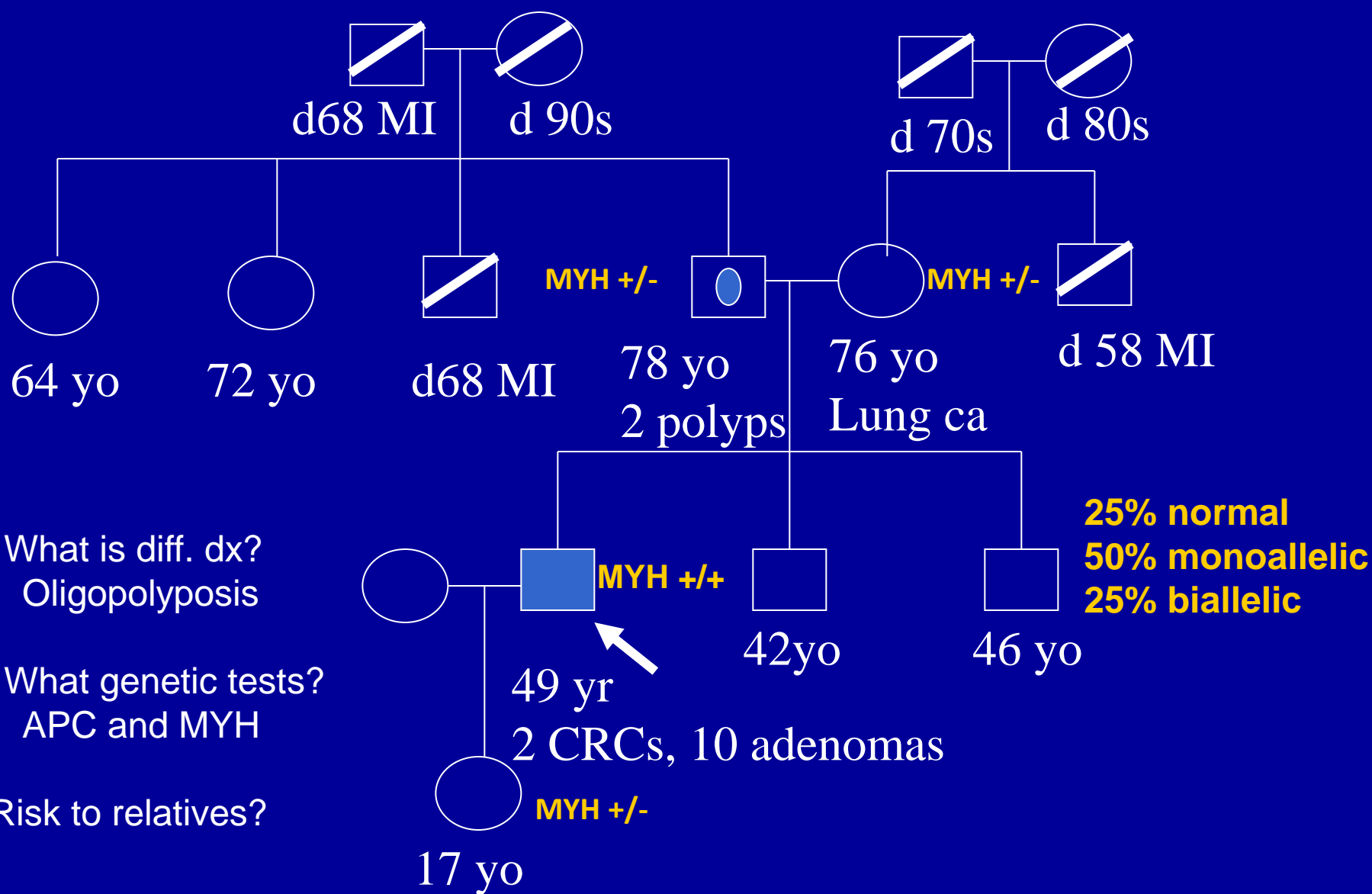


1. What is diff. dx?  
Oligopolyposis

2. What genetic tests?  
APC and MYH

3. Risk to relatives?



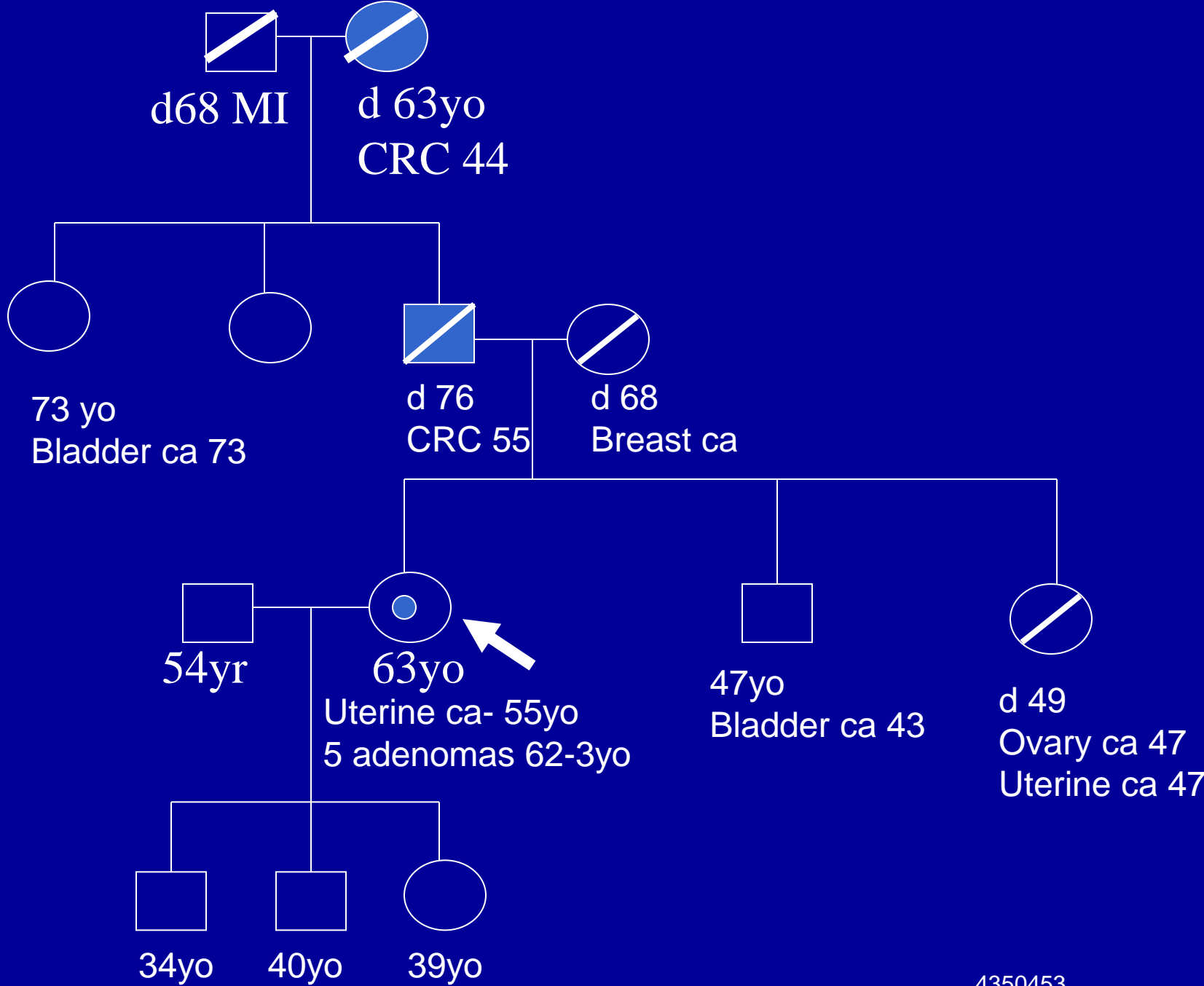


1. What is diff. dx?  
Oligopolyposis

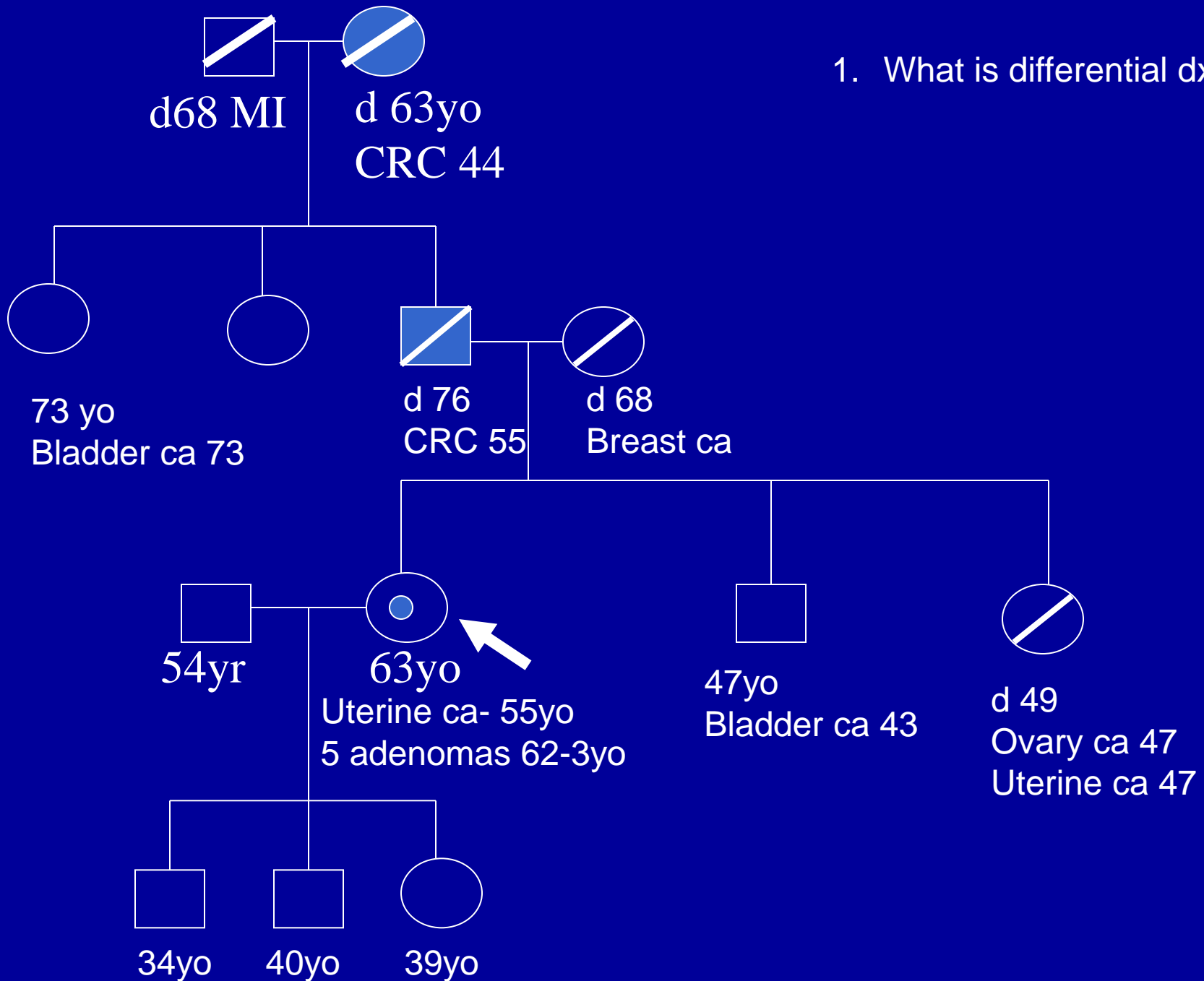
2. What genetic tests?  
APC and MYH

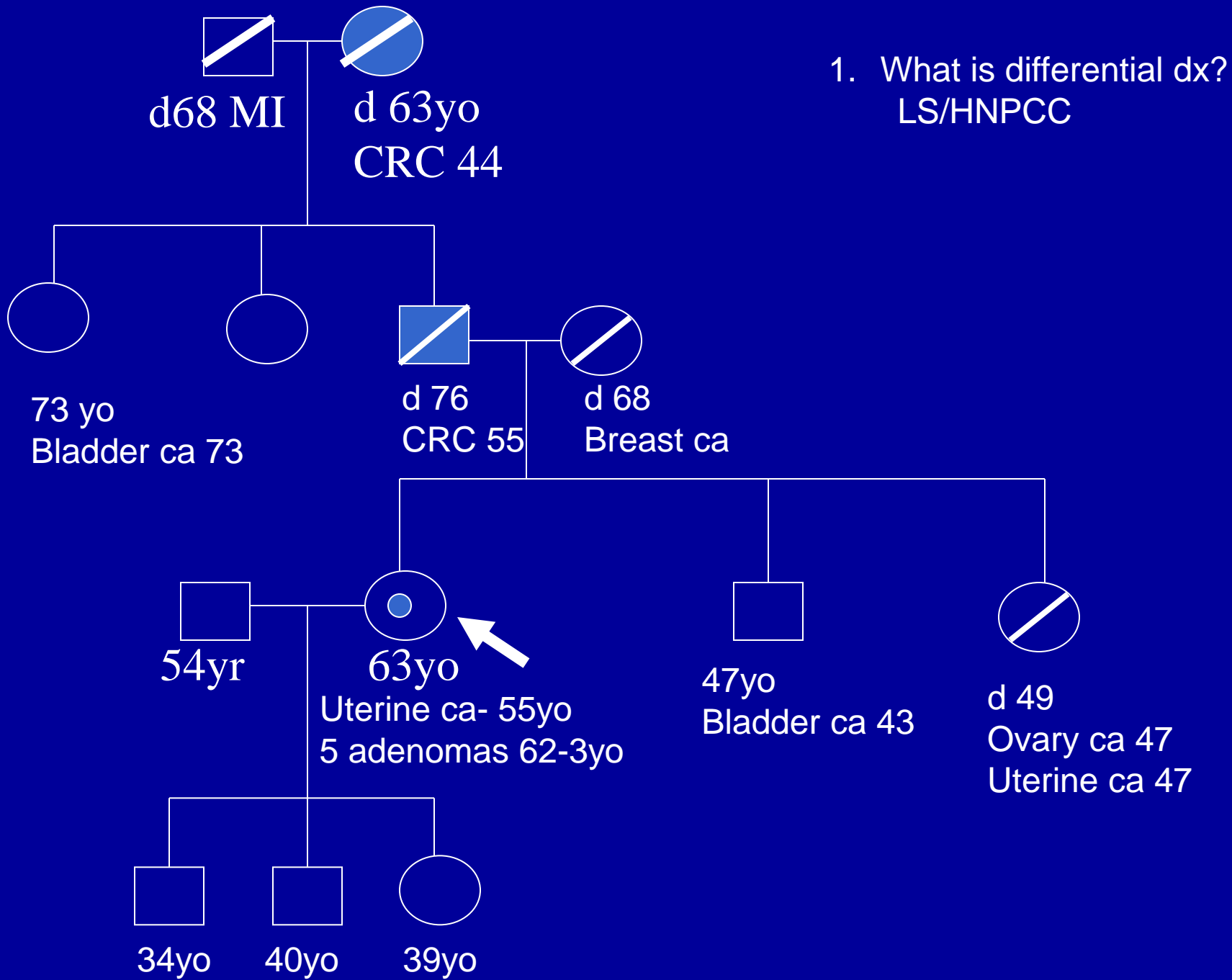
3. Risk to relatives?

# Case 2



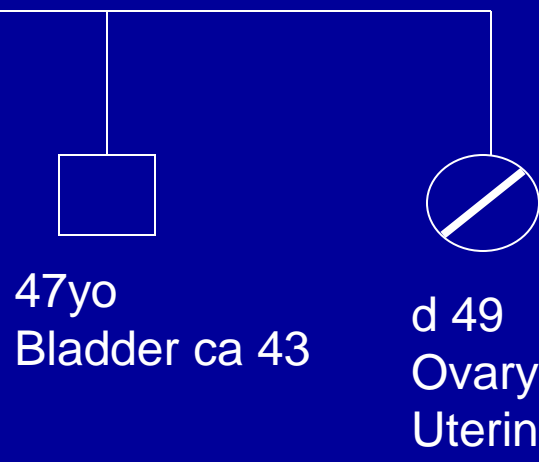
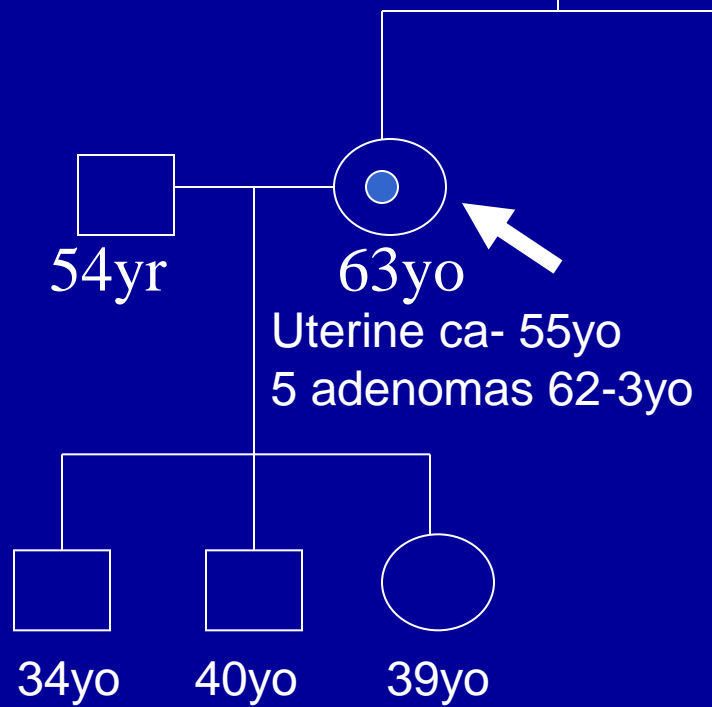
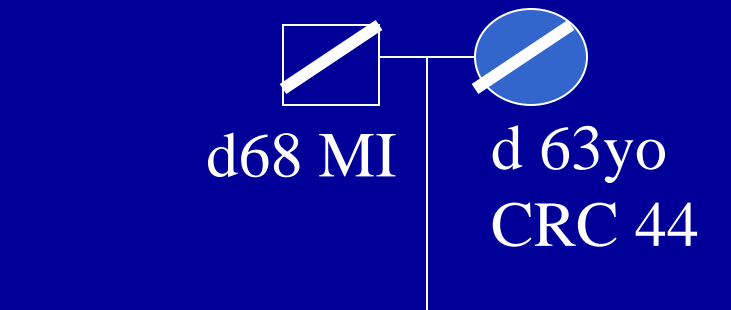
1. What is differential dx?



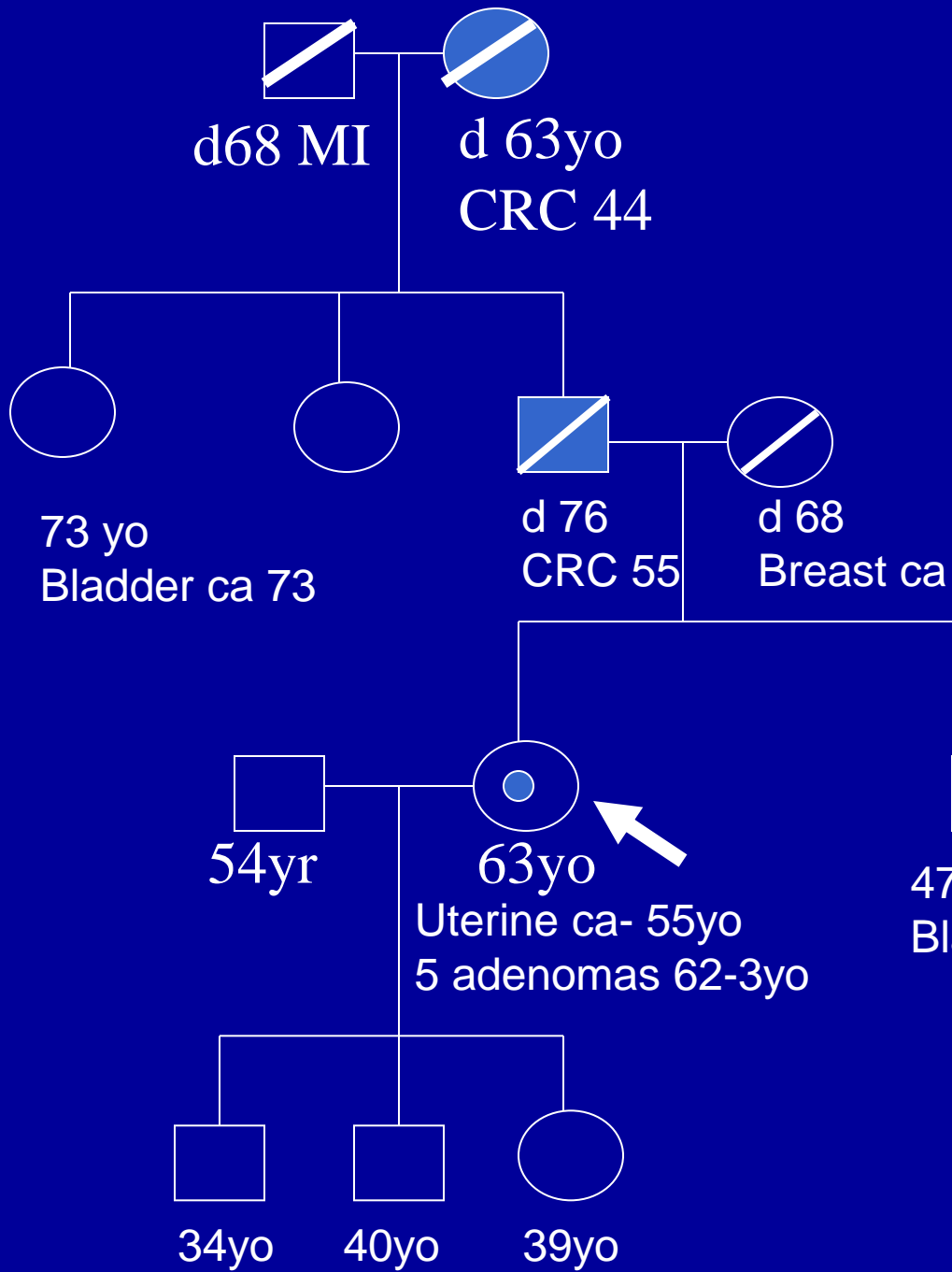


1. What is differential dx?  
LS/HNPCC



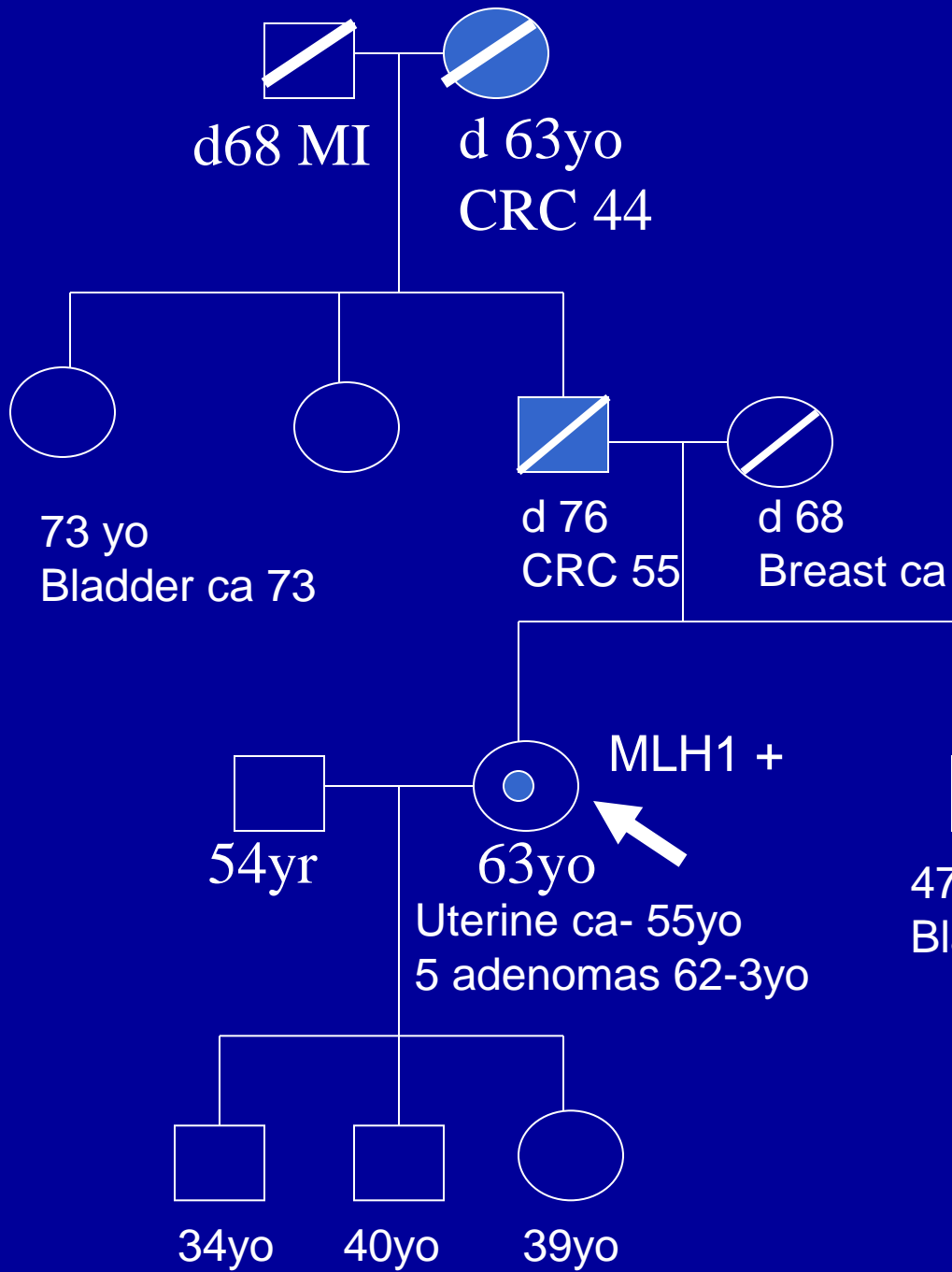


1. What is differential dx?  
LS/HNPCC
2. What genetic testing?

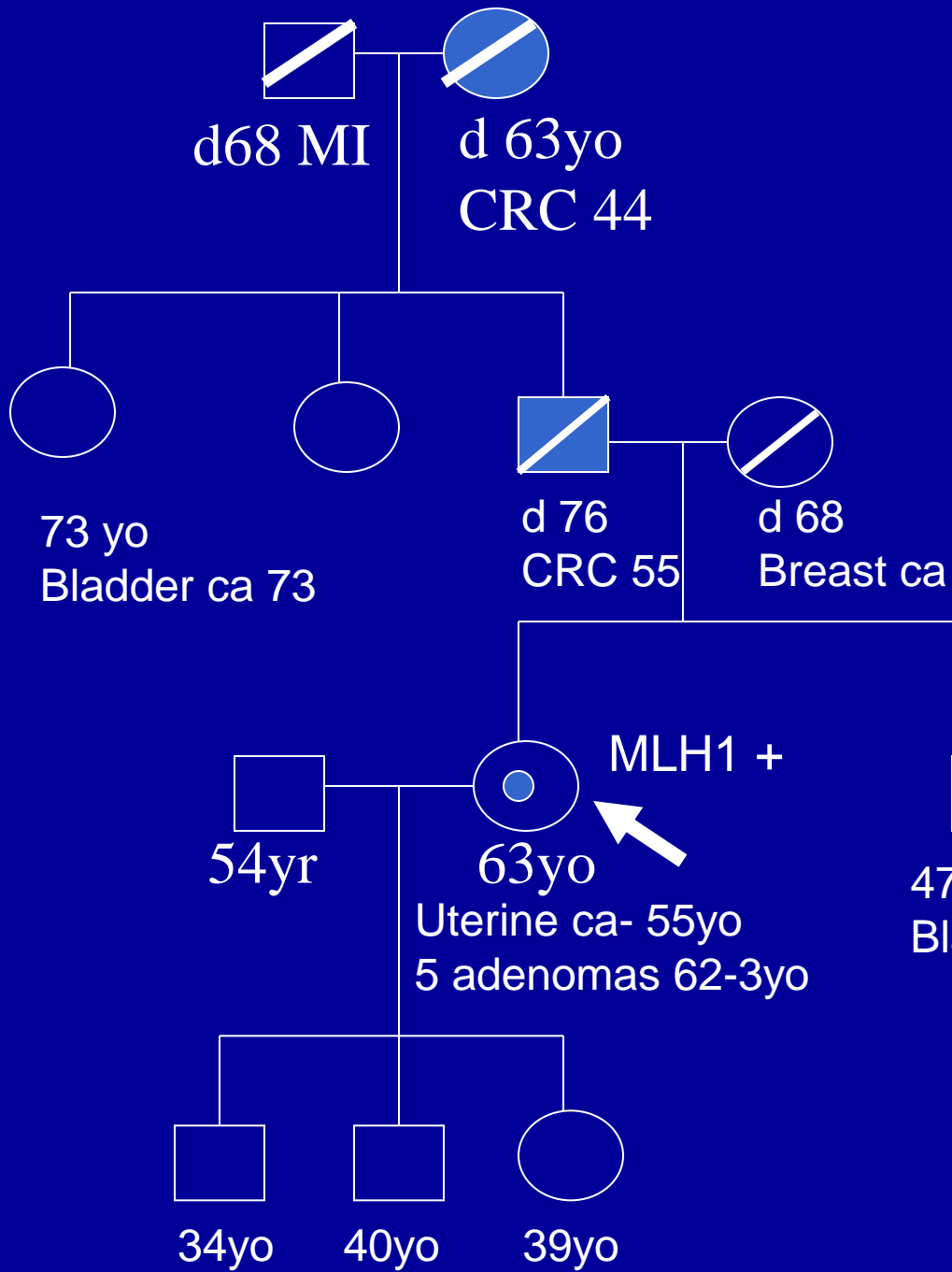


1. What is differential dx?  
LS/HNPCC

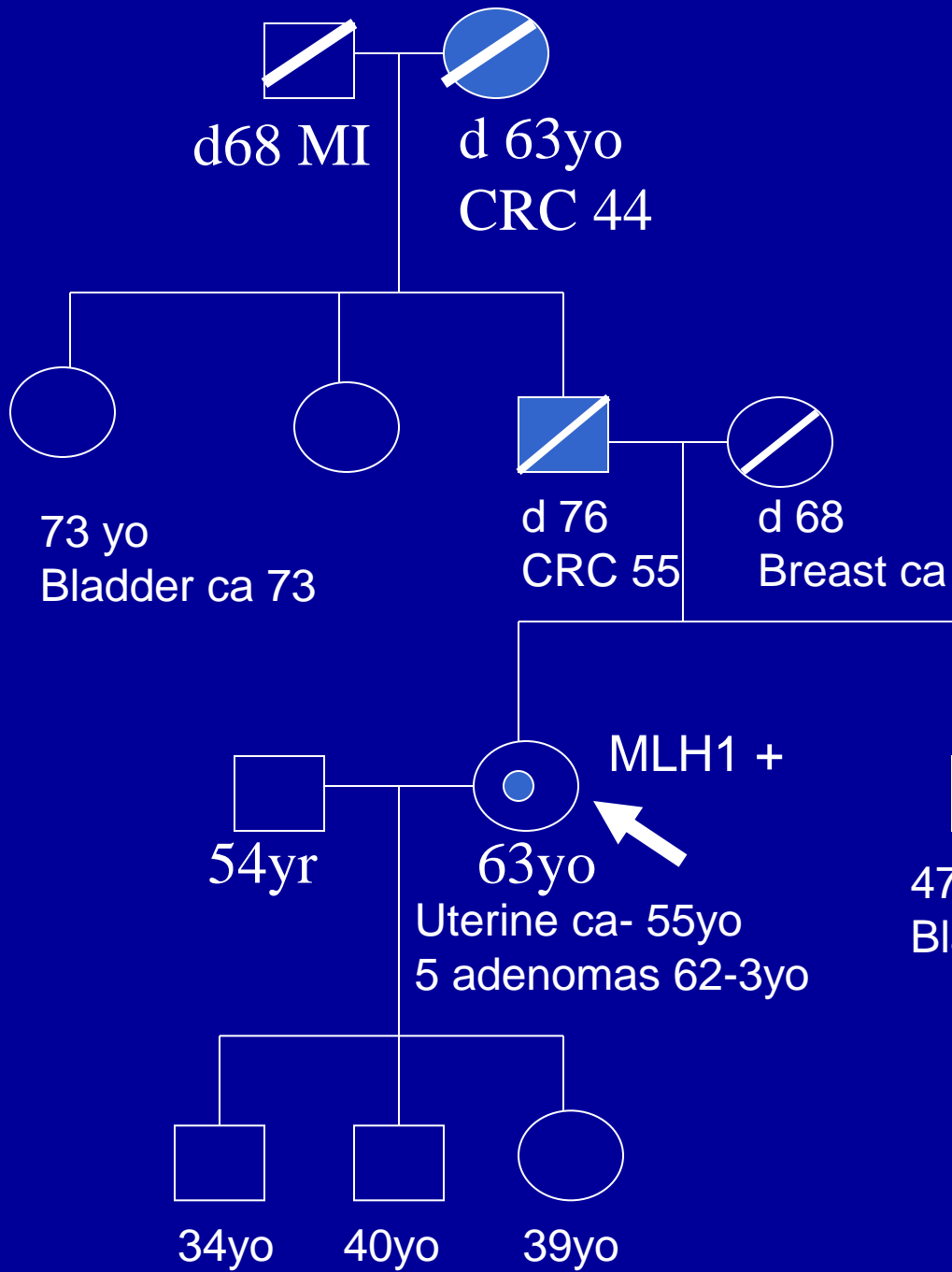
2. What genetic testing?  
MMR & EPCAM



1. What is differential dx?  
LS/HNPCC
2. What genetic testing?  
MMR & EPCAM

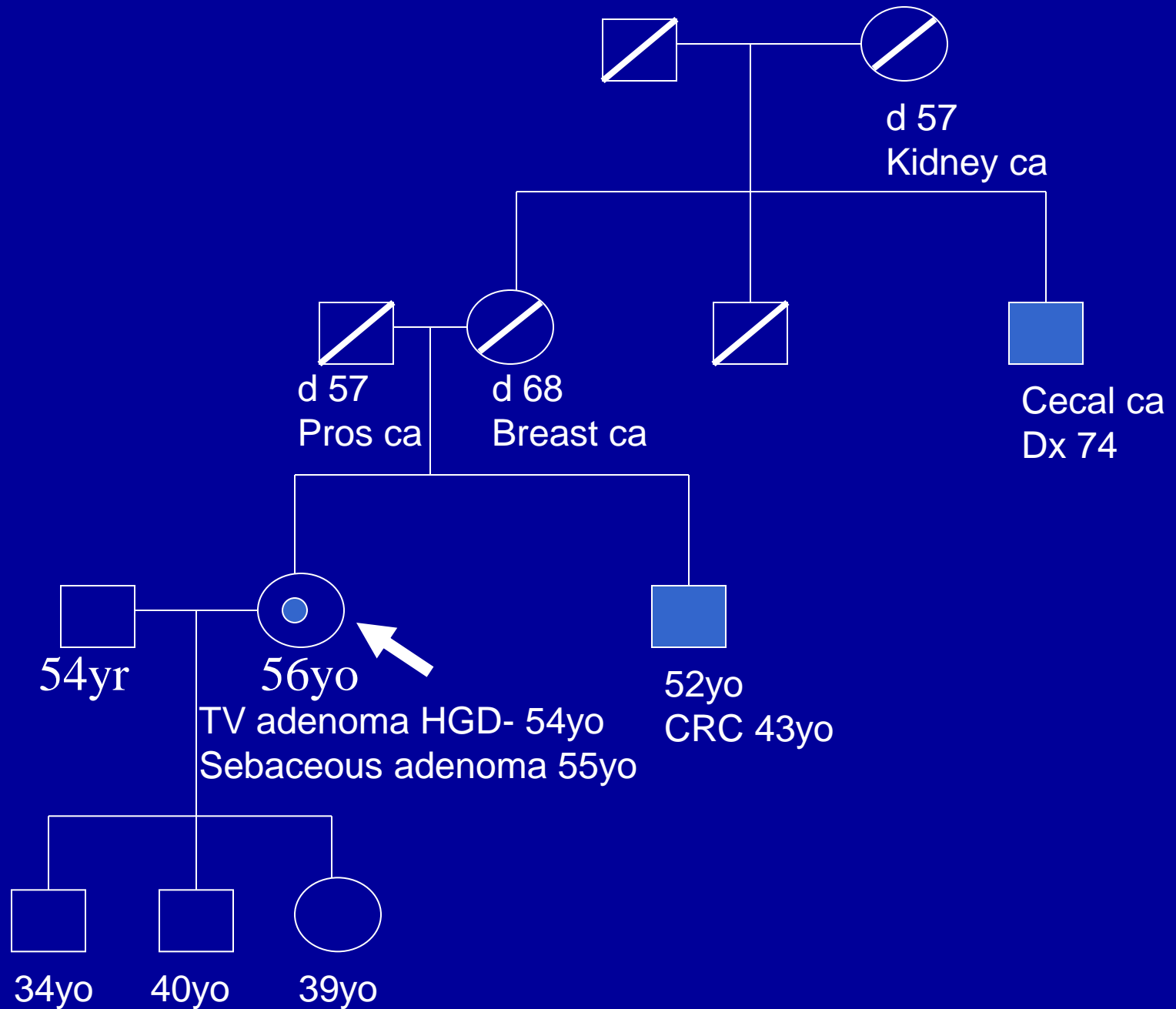


1. What is differential dx?  
LS/HNPCC
2. What genetic testing?  
MMR & EPCAM
3. How screen children?

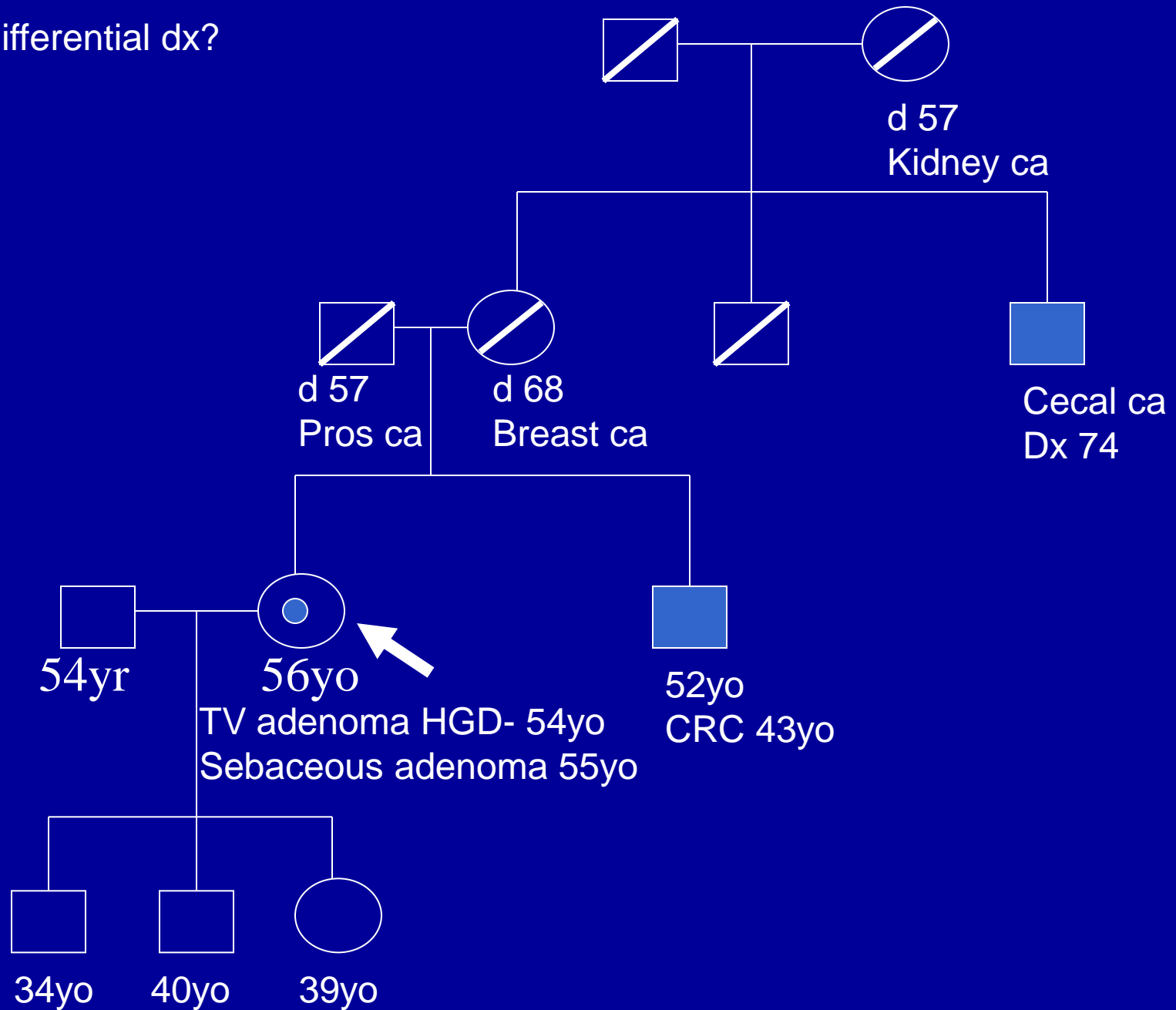


1. What is differential dx?  
LS/HNPCC
2. What genetic testing?  
MMR & EPCAM
3. How screen children?  
MLH1 gene test

# Case 3



1. What is differential dx?

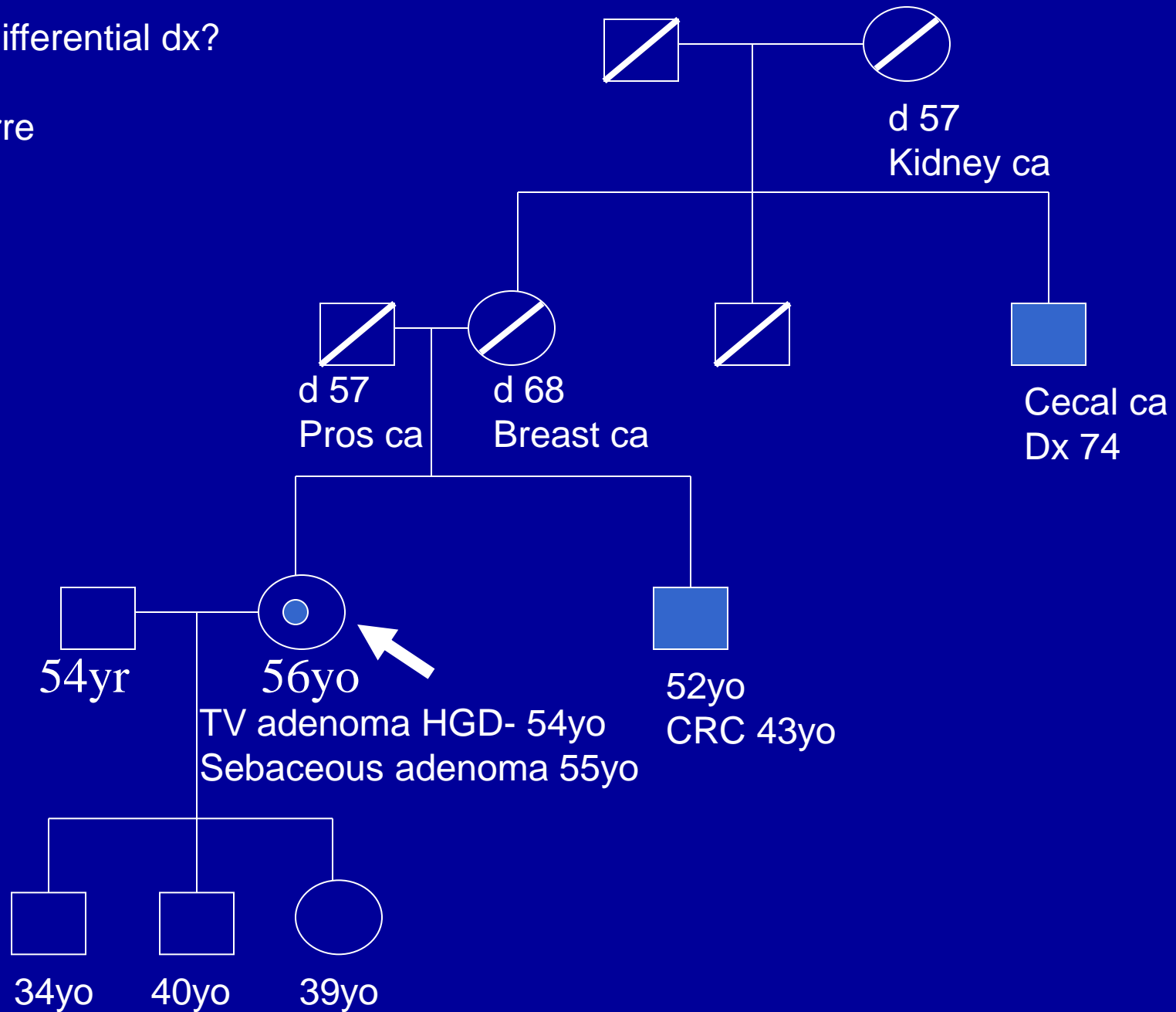




1. What is differential dx?

LS

Muir-Torre

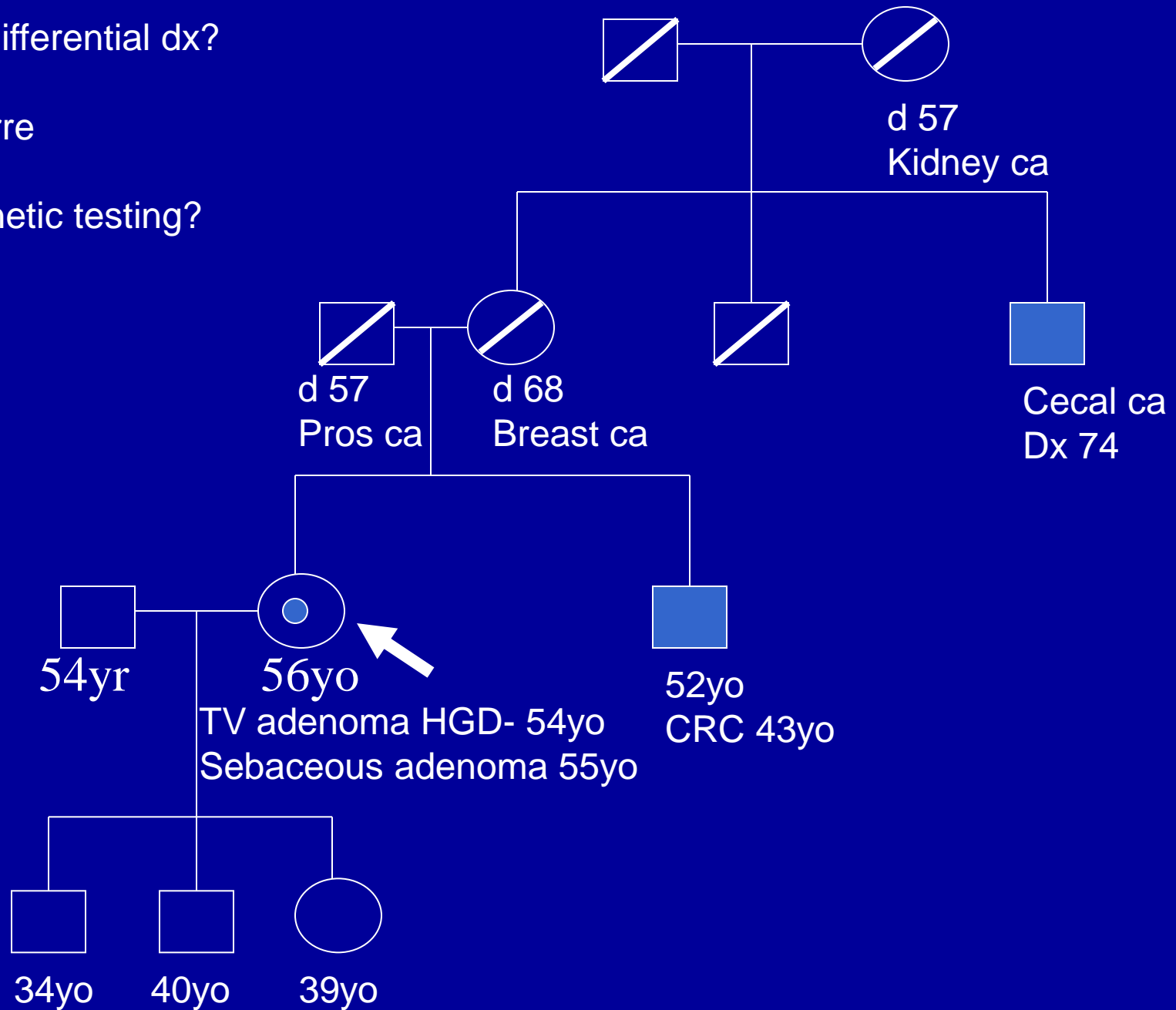


1. What is differential dx?

LS

Muir-Torre

2. What genetic testing?



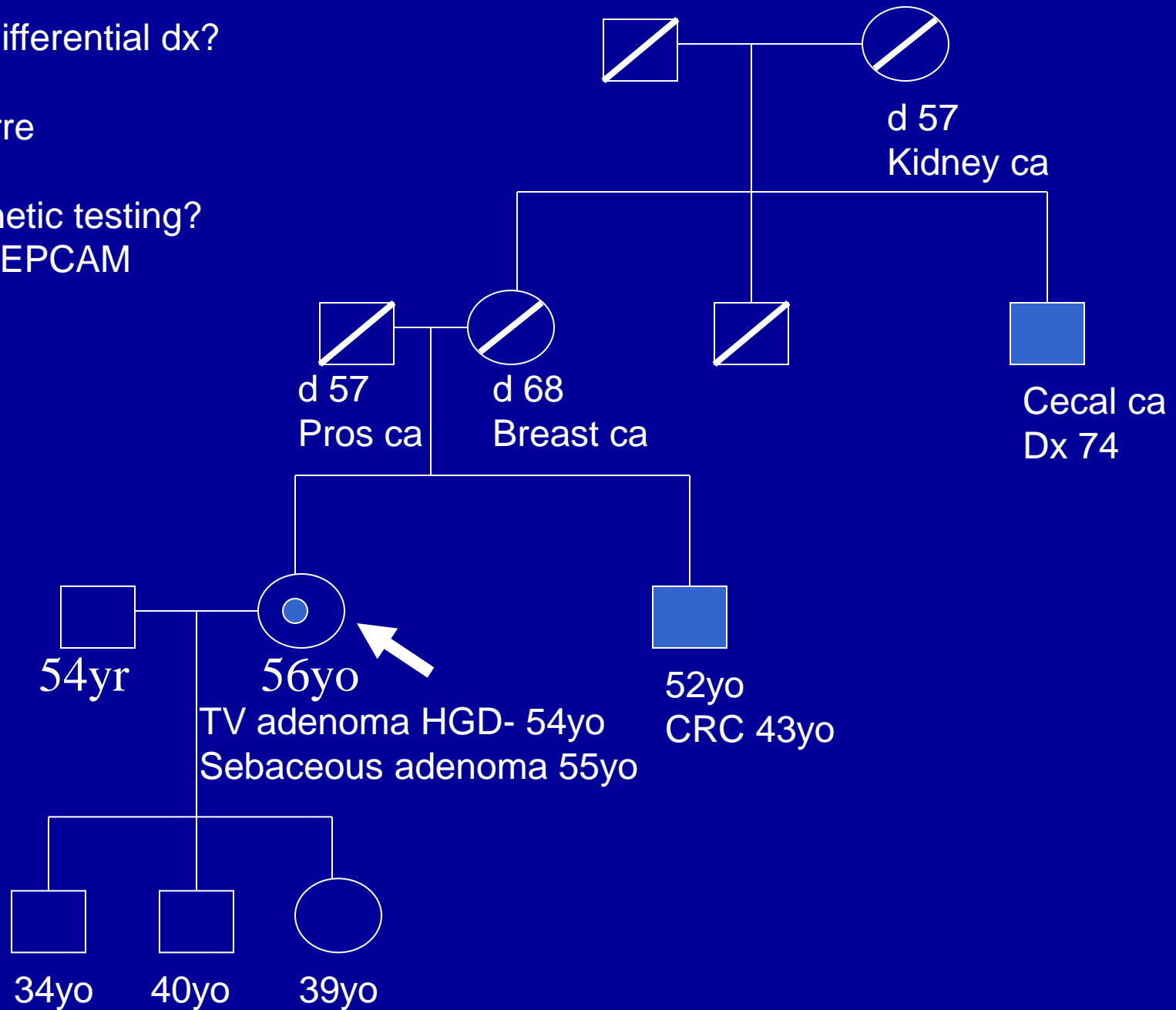
1. What is differential dx?

LS

Muir-Torre

2. What genetic testing?

MMR & EPCAM



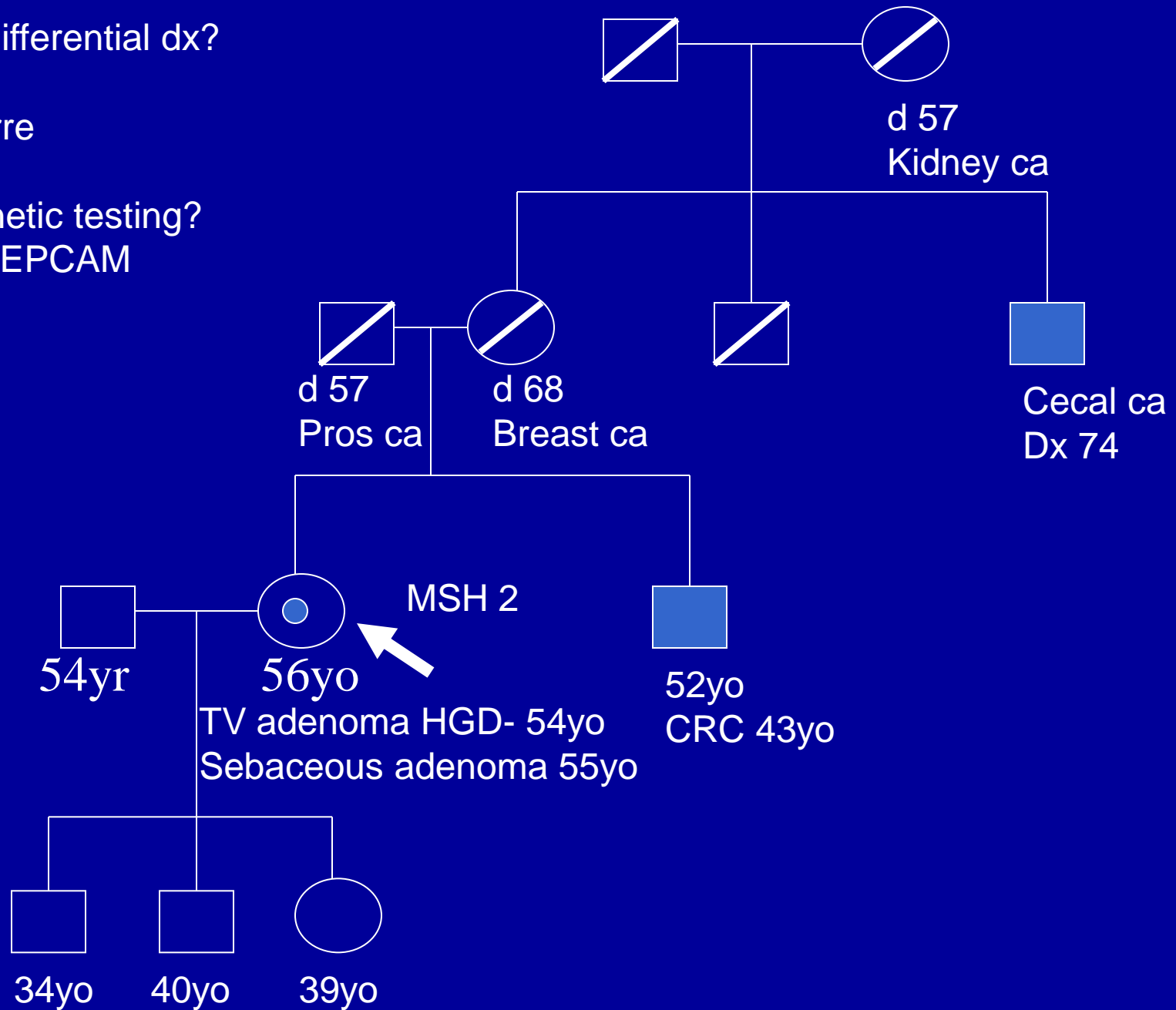
1. What is differential dx?

LS

Muir-Torre

2. What genetic testing?

MMR & EPCAM



1. What is differential dx?

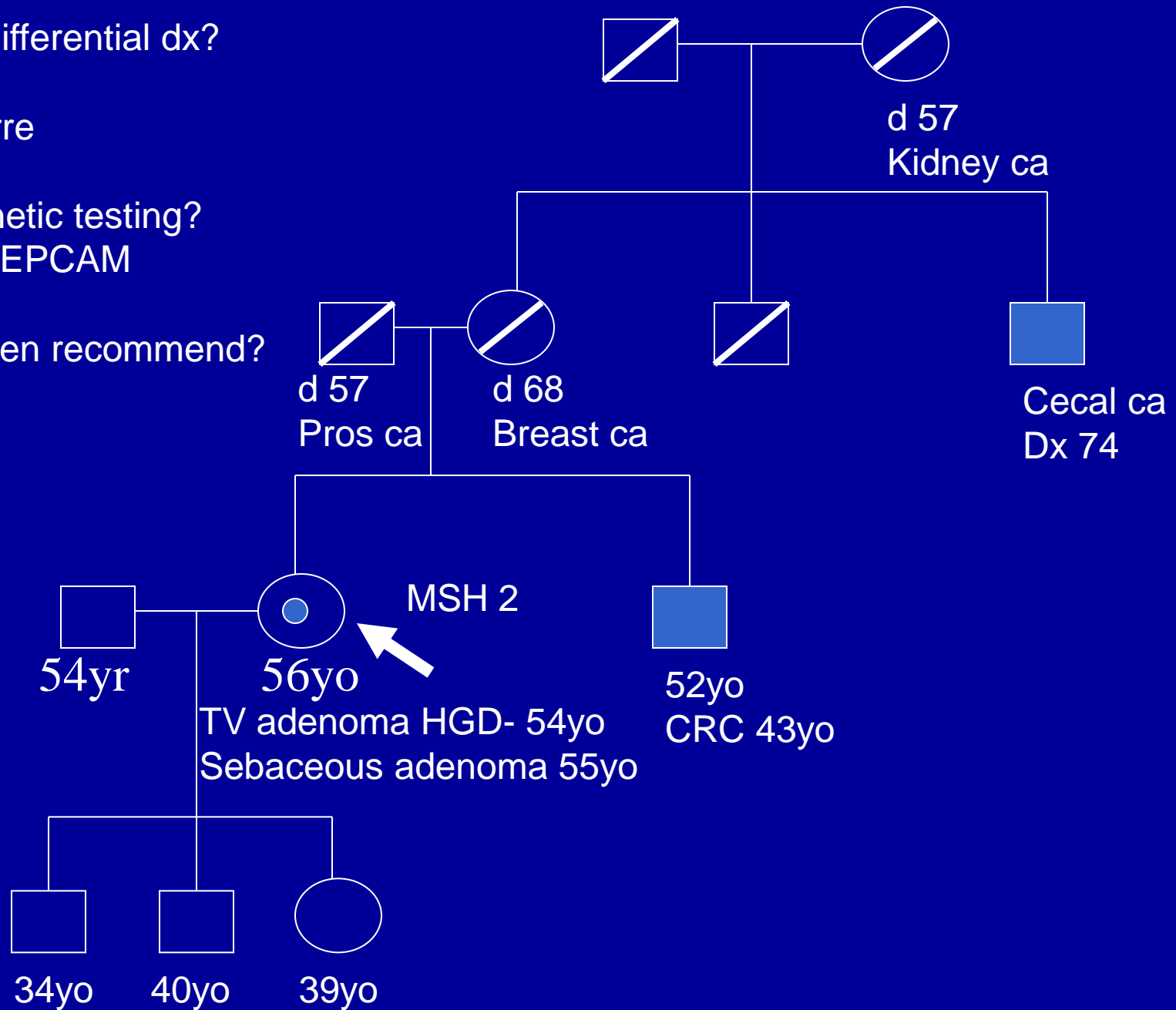
LS

Muir-Torre

2. What genetic testing?

MMR & EPCAM

3. What screen recommend?



1. What is differential dx?

LS

Muir-Torre

2. What genetic testing?

MMR & EPCAM

3. What screen recommend?

LS & Derm

